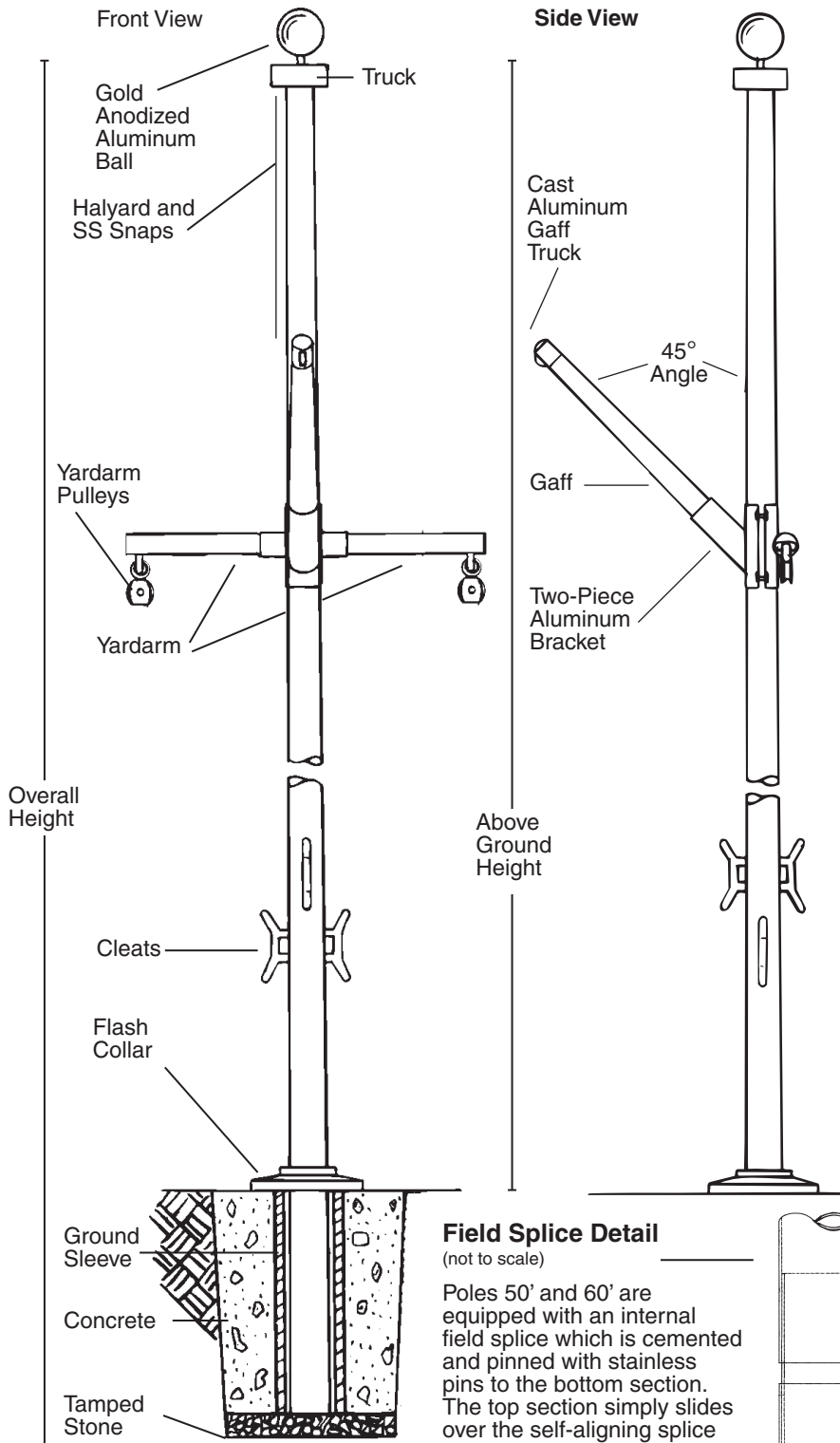
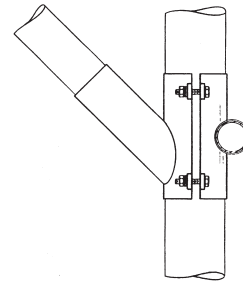


Fiberglass Flagpoles

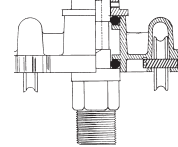
Nautical Single Masted Flagpole with Yardarm/Gaff 50' to 60'



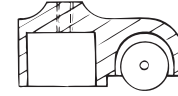
Aluminum Powder Coated Bracket



Aluminum Revolving External Truck



Aluminum Gaff Truck



Nautical Single Masted Flagpole with Yardarm/Gaff 50' to 60'

	50NSM-YAG	60NSM-YAG
Above Ground Height	50'	60'
Burial Depth	5'	6'
Flagpole		
Overall Length	55'	66'
Top Diameter	4.2"	4.2"
Butt Diameter	10"	10.75"
Burgee	6x10	8x12
Yardarm		
Length	13.5'	16'
End Diameter	3"	3"
Center Diameter	4.5"	4.5"
Standard Flags	6x10	8x12
Gaff		
Length	9'	11'
Tip Diameter	3"	3"
Butt Diameter	4.5"	4.5"
Standard Flags	6x10	8x12
Ground Sleeve	5' x 14"	6' x 14"
Fittings		
Gold Ball	10"	10"
Truck	ALUM	ALUM
Halyard Size	#12	#12
Cleat (powder coated)	10" AL	10" AL
Snaps (stainless steel)	4.5"	4.5"
Flash Collar	23"	23"
Pole Weight	397	629
Pole Weight (w YA/G)	467	711
Shipping Weight	528	782
Shipping Weight includes weight of packaging and fittings		

SPECIFICATIONS

Provide a Fiberglass Reinforced Composite (FRC) Flagpole and Yardarm/Gaff Model # _____ NSM-YAG as manufactured by PLP Composite Technologies, Inc., Fitzwilliam, NH 03447.

The flagpole shall have a mounting height of _____' and _____' below grade for an overall length of _____'. It shall have a top diameter of _____" and a butt diameter of _____". The flagpole shall have a total weight of _____ lbs. and a shipping weight of _____ lbs.

The yardarm shall have an overall length of _____'. The diameter at the center of the yardarm shall be _____" and will taper to each end to a diameter of _____". The gaff shall have an overall length of _____'. The butt diameter shall be _____" and the tip diameter _____". The yardarm and gaff shall be secured to the pole shaft with an powder coated aluminum bracket.

The flagpole, yardarm, and gaff shall be manufactured of fiberglass woven roving and polyester resin with 75% of the reinforcing fibers oriented to the axial plane for maximum stiffness and 25% in the radial plane for required hoop strength. Load calculations shall be based on AASHTO and NAAMM standards designed for 150 m.p.h. winds, unflagged with a 1.3 gust factor.

The flagpole, yardarm, and gaff shall have an ENTASIS taper and shall be void of any vertical mold seams.

The flagpole, yardarm, and gaff shall be sanded smooth and coated with a high gloss Aliphatic Polyurea coating system based on Dual Core chemistry, providing UV protection and weatherability.

The color of the flagpole, yardarm, and gaff shall be: Standard white, black, bronze (select one).

The shaft, yardarm and gaff weight shall be _____ lbs. and the total shipping weight shall be _____ lbs.

The flagpole is equipped with:

- A _____" gold anodized aluminum ball
- # _____ polyester halyard
- Powder coated aluminum cleat
- A _____" composite flash collar
- _____' x _____" fiberglass ground sleeve
- Stainless steel swivel snaps/covers
- Revolving external truck

The yardarm and gaff are equipped with:

- Yardarm/Gaff bracket painted to match color of pole (2-piece bracket)
- _____ yardarm pulleys
- Cast aluminum gaff truck
- # _____ polyester halyards (2 yardarm & 1 gaff)
- Powder coated aluminum cleats (3 to a set)
- 6 Stainless steel swivel snaps/covers (2 for each side of yardarm & 2 for gaff)

EXCEPTIONS: _____

PROJECT: _____

LOCATION: _____

DATE: _____

PLP Composite Technologies, Inc.

57 Creamery Road • PO Box 429 • Fitzwilliam, NH 03447 • Tel: 603-585-9100 • Fax: 603-585-3470 • www.plpcomp.com