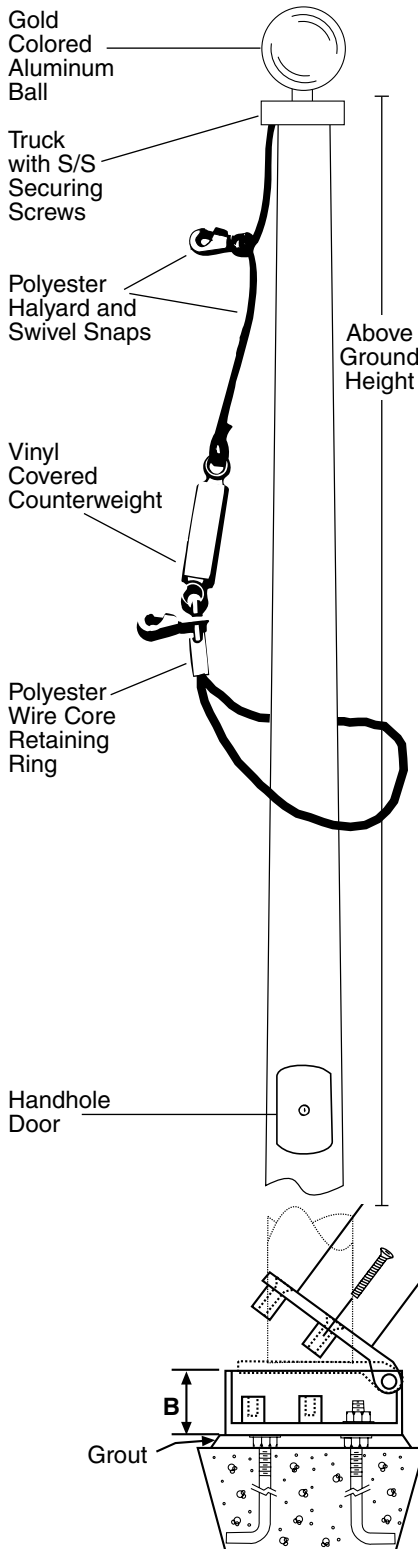
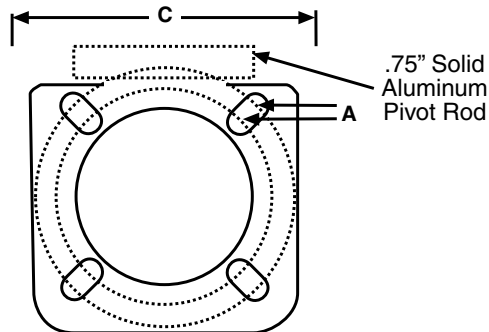
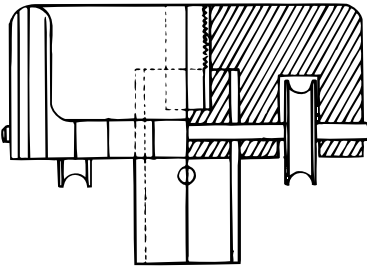


# Fiberglass Flagpoles

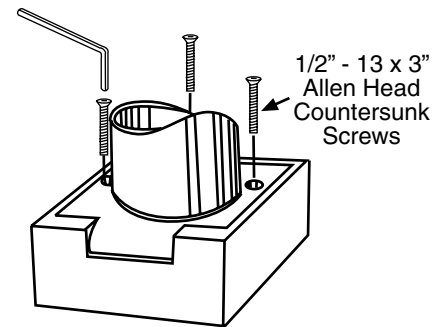
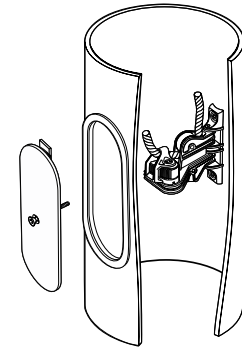
Hinge Anchor Base  
Fiberglass  
Internal Halyard  
Flagpoles 20 IHB - 35 IHB



## Fiberglass Stationary Internal Truck



## Internal Cam Cleat and Handhole Door



Model Number	PLP 20IHB	PLP 25IHB	PLP 30IHB	PLP 35IHB
Above Ground Height	20'	25'	30'	35'
Butt Diameter	5.75"	6.5"	6.5"	7"
Top Diameter	3"	3"	3"	3"
Pole Weight With Base (lbs.)	52	72	89	108
Shipping Weight With Base (lbs.)*	92	118	141	167
Ball Diameter	5"	5"	6"	6"
Halyard	#10	#10	#10	#10
Truck	F/G	F/G	F/G	F/G
Snaps	Brass Swivel	Brass Swivel	Brass Swivel	Brass Swivel
Standard Flag Size	4x6	4x6	5x8	5x8
Anchor Bolt Length	25"	25"	25"	25"
Bolt Diameter	3/4"	3/4"	3/4"	3/4"
Exposed Thread	3"	3"	3"	3"
Bolt Circle (A)	7.5"-9"	8.5"-9"	8.5"-9"	8.5"-9"
Base Dimensions (B&C)	3.5" h x 10.5"w			

\* Shipping weight includes weight of packaging, fittings, and anchor bolts.

# SPECIFICATIONS

Provide a Fiberglass Reinforced Plastic (FRP) Internal Hinge Base Flagpole Model # \_\_\_\_\_ IHB as manufactured by PLP Composite Technologies, Inc., Fitzwilliam, NH 03447.

The flagpole shall have a mounting height of \_\_\_\_\_ feet. The butt diameter shall be \_\_\_\_\_ inches and the top diameter \_\_\_\_\_ inches. The pole weight shall be approximately \_\_\_\_\_ lbs. with a total shipping weight of \_\_\_\_\_ lbs.

The flagpole shall be manufactured of fiberglass woven roving and polyester resin with 75% of the reinforcing fibers oriented in the axial plane for maximum stiffness and 25% in the radial plane for required hoop strength. Load calculations shall be based on AASHTO and NAAMM standards with the pole designed with a two to one safety factor for 125 m.p.h. winds, unflagged with a 1.3 gust factor.

The pole shall have an ENTASIS taper and shall be void of any vertical mold seams.

The pole shall be sanded smooth and coated with a high gloss Aliphatic Polyurea coating system based on Dual Cure chemistry, providing extended UV protection and weatherability.

The color of the flagpole shall be:

Standard white, bronze, black, or other, as specified \_\_\_\_\_. (Select one)

The flagpole shall be equipped with PLP standard fittings:

- A \_\_\_\_\_" gold anodized aluminum ball
- A single sheave internal fiberglass stationary truck with stainless steel securing screws
- #10 polyester halyard
- Polyester wire core retaining ring
- Vinyl covered counterweight
- Stainless steel and nylon internal cam cleat
- Handhole door with cylinder cam lock
- Brass swivel snaps with vinyl covers

HINGE BASE: Cast Aluminum A356 alloy aluminum, the hinge base shall be heat treated to a T6 condition. The shaft shall be cemented and pinned to a 21" aluminum pipe which shall be inserted into the tilting section of the hinge base and shall be joined to it by continuous circumferential welds at the outside top and inside bottom of that section. The tilting section of the hinge base shall be held in a vertical position by three 1/2" - 13 x 3" stainless steel countersunk allen head screws.

The base shall be furnished with 4 anchor bolts with 2 nuts, 2 flat washers and 1 lock washer per anchor bolt as follows:

- 3/4" x 25" anchor bolt
- 3" exposed thread recommended/projection

EXCEPTIONS: \_\_\_\_\_

\_\_\_\_\_

PROJECT: \_\_\_\_\_

LOCATION: \_\_\_\_\_

DATE: \_\_\_\_\_